

# USE MANUAL

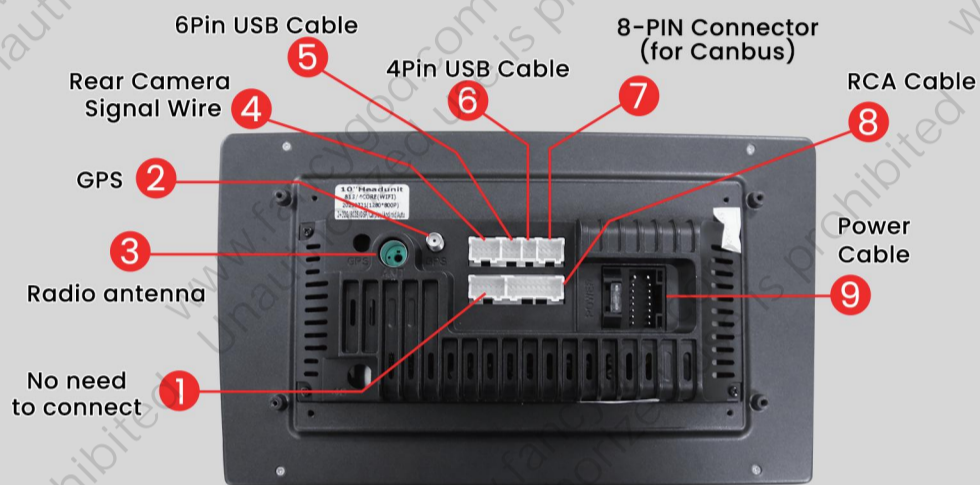
## Car Stereo

### Fit for Dodge challenger 2008-2014

Central Control Disassembly and Operation

Post-installation rendering

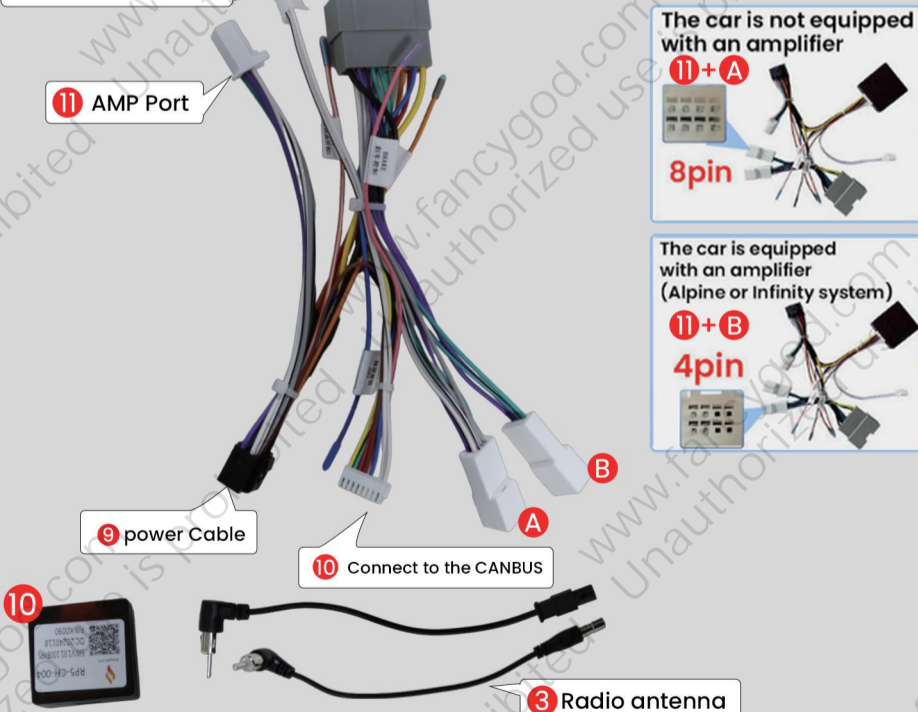
#### Wiring diagram



#### A-cables XC-1386

Connect to the original car harness plug: power/speaker/SWC

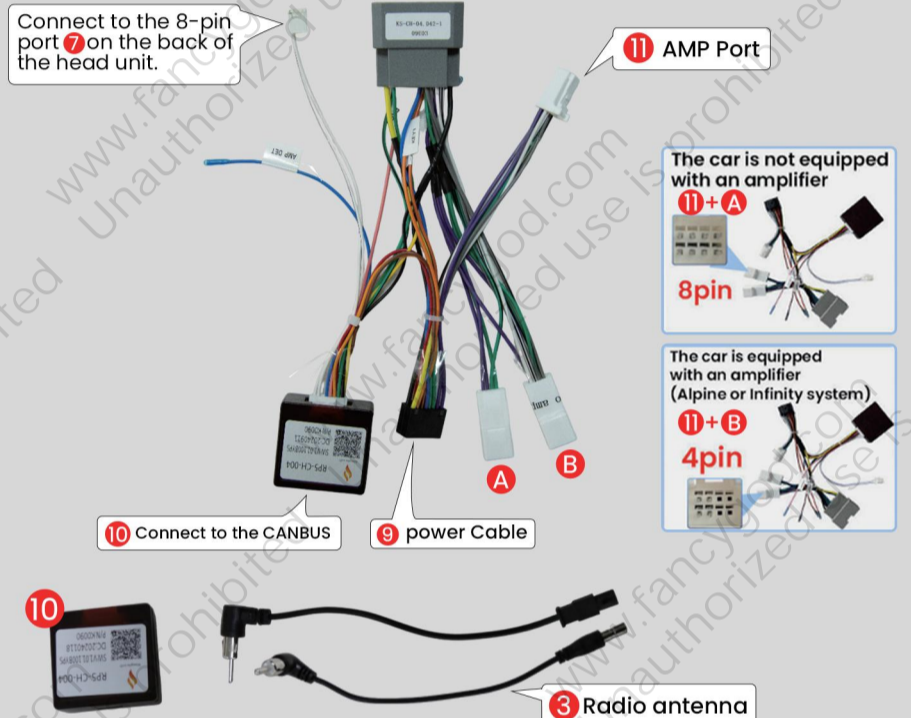
Connect to the 8-pin port 7 on the back of the head unit.



#### B-cables XC-1387

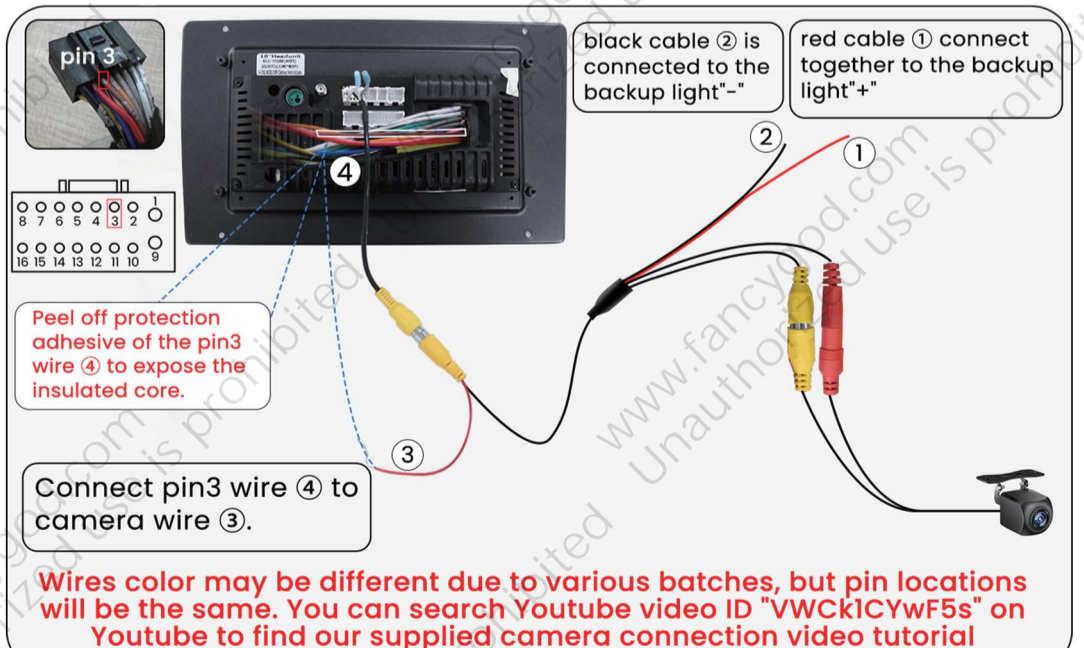
Connect to the original car harness plug: power/speaker/SWC

Connect to the 8-pin port 7 on the back of the head unit.



#### Power Line Definition Chart

Front Left (+)	<input type="checkbox"/>	<input type="checkbox"/>	Rear Right (+)
Front Left (-)	<input type="checkbox"/>	<input type="checkbox"/>	Rear Right (-)
Front Right (+)	<input type="checkbox"/>	<input type="checkbox"/>	Rear Left(+)
Front Right (-)	<input type="checkbox"/>	<input type="checkbox"/>	Rear Left(-)
Steering Wheel Key(+)	<input type="checkbox"/>	<input type="checkbox"/>	Power Antenna(+)
Rear Camera(+)	<input type="checkbox"/>	<input type="checkbox"/>	Steering Wheel Key 2 (+)
Accessory/Ignition(+)	<input type="checkbox"/>	<input type="checkbox"/>	Dimmer/Illumination (+)
Chassis Ground (-)	<input type="checkbox"/>	<input type="checkbox"/>	Constant power supply



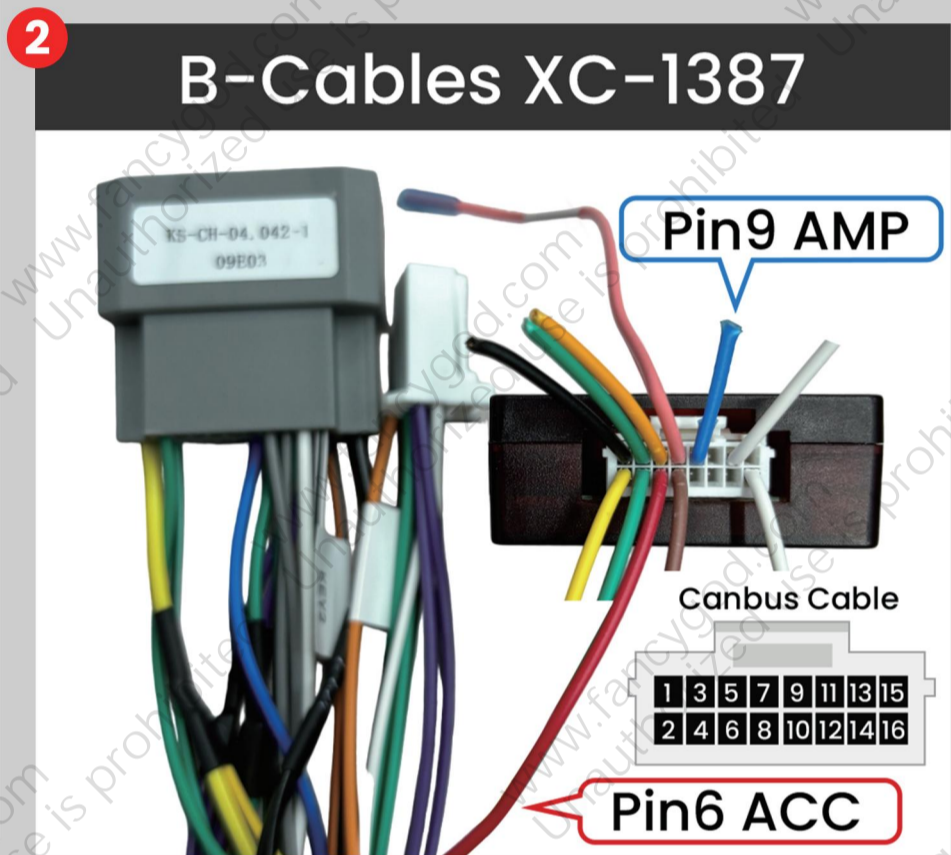
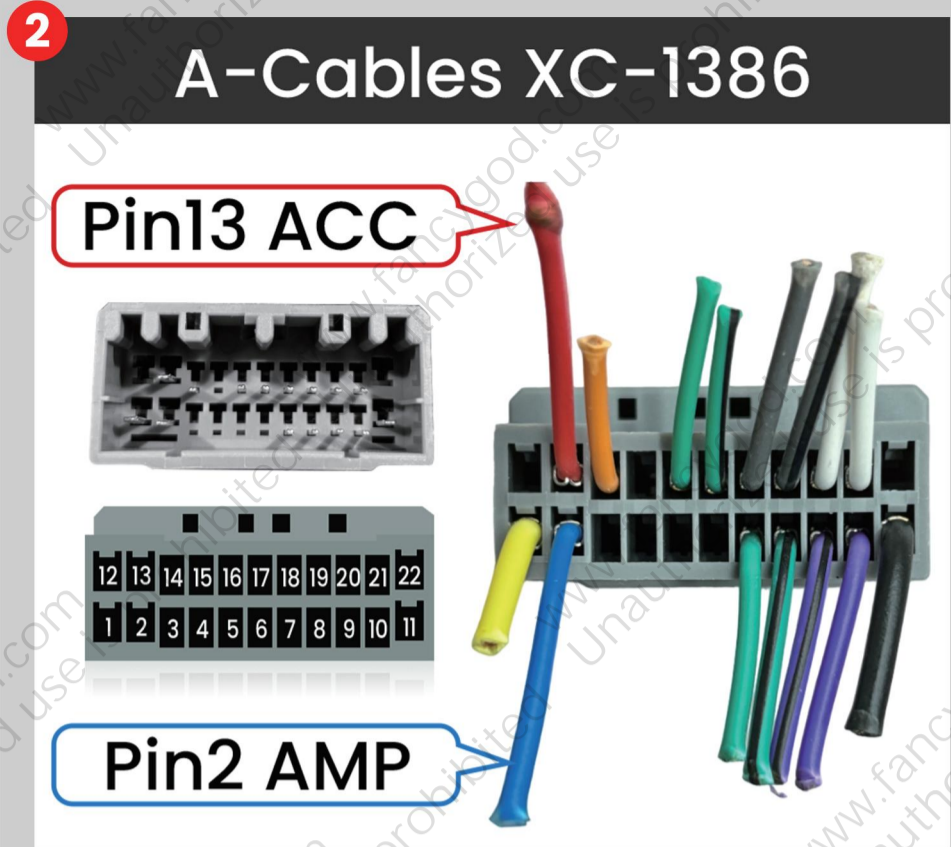
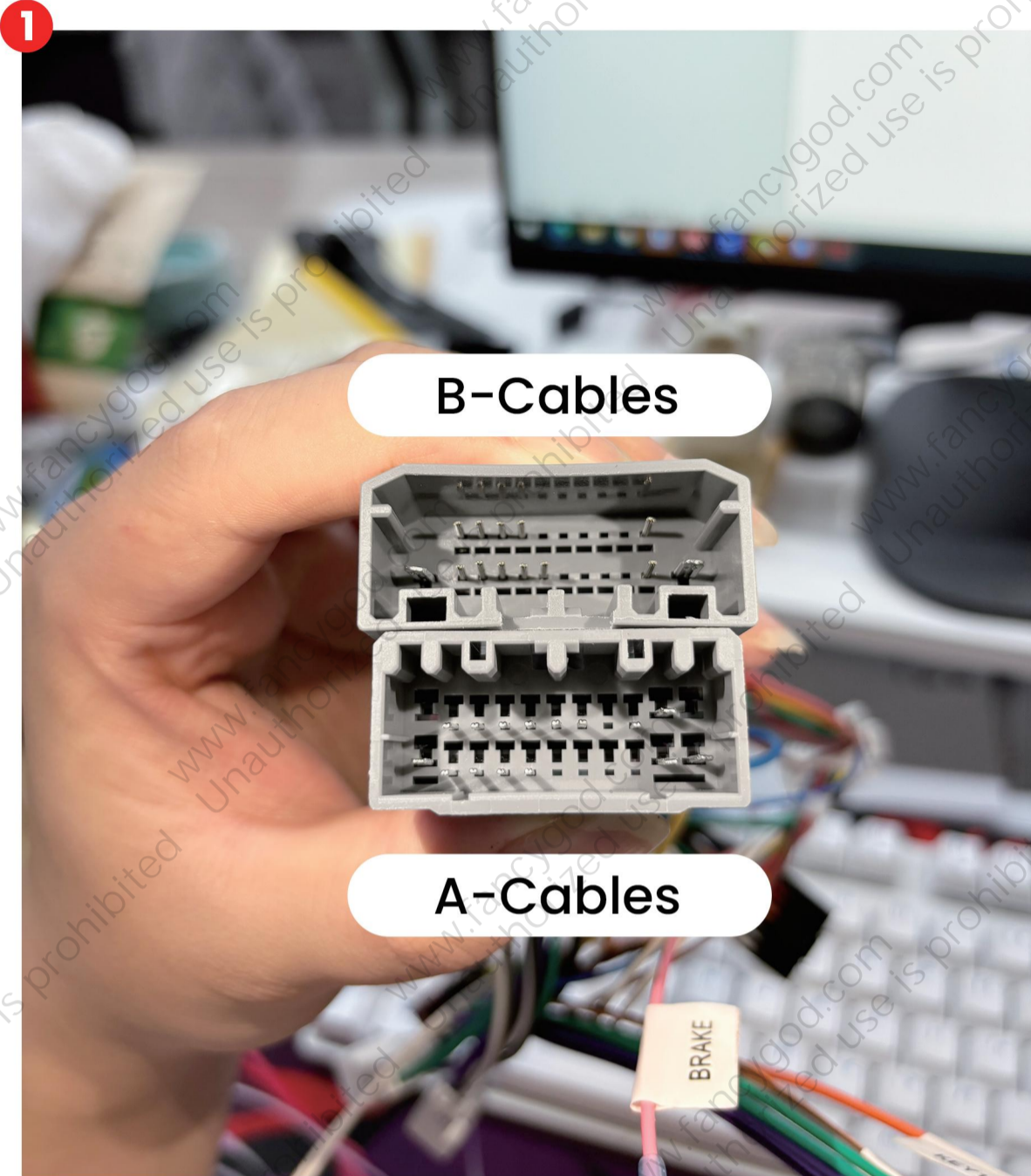
For more guidance/video tutorial, please copy this link or scan the QR code to enter into our official website:

<http://www.fancygod.com>

Instructions



Please confirm whether to use A-Cables or B-Cables according to the shape and pin configuration of the original car's connector (refer to pic 1).



If there is no sound after installation, please manually connect the AMP cable to the ACC cable (refer to pic 2), ensure the connection is correct in order to power on the AMP and make the sound work.

(Note: You can use a lighter to soften and peel off the skin of AMP wire and the ACC wire (instead of cutting it off) then twist the two wires together and wrap them up. Please also use an insulating tape or a clip to protect the conjunction of them.)

Scan the QR code on the right to watch the wiring harness connection video

tutorial:



To prevent issues such as steering wheel controls not functioning, please be sure to follow the setup steps shown below:

Please press Settings-Factory Settings (input password 3368)-Car Model to Choose "XP(Simple) —Jeep—ALL—XP"

**If the sound does not work properly after selecting the CAN box type to "XP", please switch the CAN box type to "XP.HIGH.AMP".**

